



For complete warranty details
visit www.AspenMfg.com

Product Features and Specifications

Application Versatility

Upflow or horizontal right as shipped (field convertible for downflow or horizontal left applications). Can be AHRI certified with most brands of air conditioners or heat pumps. ETL-listed for use with all major refrigerants when proper metering device is used.

Low Leakage Cabinet

Less than 2% air leakage from cabinet when tested in accordance with ASHRAE standard 193. Unit must be installed according to installation instructions. Sturdy, fully insulated galvanized steel cabinet with knockout for duct return.

Air Moving System

Constant torque ECM speeds and torques are controlled by software embedded in the motor to maintain constant torque. Motors are pre-programmed with speeds and torques at the factory for optimal performance and reliability. Direct drive blowers circulate air quietly and efficiently. Rail mounted blowers provide easy removal for service and maintenance.

Electronic Control Board

An electronic board controls the functioning of the system, reducing moving parts. The board provides a blower time delay to maximize heat/cool extraction and offers an integrated fuse for additional protection.

All Aluminum Coil

High efficiency rifled aluminum tubes and enhanced aluminum fins provide maximum heat transfer. All coils factory leak tested with two-stage pressure decay and mass spectrometer process, then nitrogen pressurized, and factory-sealed for maximum reliability. Available with either factory-installed orifice or TRXV metering device. Field-installable bolt-on TXVs are also available. Access door allows for easy coil cleaning.

Options

See Options menu.



LEM SERIES AIR HANDLER

High Efficiency

Multi-Position, Aluminum Coil

HEATING AND COOLING PERFORMANCE													
MODEL	ELECTRIC HEAT KIT MODEL	SPEED TAP	MINIMUM CFM @ 0.5 ESP	PERFORMANCE DATA						ELECTRICAL DATA			
				HEATING (KW)		TOTAL AMPS (A)		HEATING CAPACITY (MBTUH)		MINIMUM CIRCUIT AMPACITY (MCA)		MAX BREAKER OR FUSE SIZE	
				208V	240V	208V	240V	208V	240V	208V	240V	208V	240V
LEM24A-E LEM36L	N(C,T)S00	NA	NA	0.0	0.0	2.8	2.8	0.0	0.0	3.5	3.5	15	15
	N(C,T)S03	T2	630	2.3	3.0	13.6	15.3	7.8	10.2	17.0	19.1	20	20
	N(C,T)S05	T2	630	3.6	4.8	20.1	22.8	12.3	16.4	25.1	28.5	30	30
	N(C,T)S06	T2	630	4.5	6.0	24.4	27.8	15.4	20.5	30.5	34.8	35	35
	N(C,T)S08	T2	630	6.0	8.0	31.6	36.1	20.5	27.3	39.6	45.2	40	50
	N(C,T)S10	T2	630	7.2	9.6	37.4	42.8	24.6	32.8	46.8	53.5	50	60
LEM24F-J LEM36A-E LEM24K LEM48L LEM48K	N(C,T)M00	NA	NA	0.0	0.0	4.1	4.1	0.0	0.0	5.1	5.1	15	15
	N(C,T)M03	T3	800	2.3	3.0	14.9	16.6	7.8	10.2	18.6	20.8	20	25
	N(C,T)M05	T3	800	3.6	4.8	21.4	24.1	12.3	16.4	26.8	30.1	30	35
	N(C,T)M06	T3	800	4.5	6.0	25.7	29.1	15.4	20.5	32.2	36.4	35	40
	N(C,T)M08	T3	800	6.0	8.0	32.9	37.4	20.5	27.3	41.2	46.8	45	50
	N(C,T)M10	T3	800	7.2	9.6	38.7	44.1	24.6	32.8	48.4	55.1	50	60
	N(C,T)M15	T3	800	7.2/3.6	9.6/4.8	38.7/17.3	44.1/20.0	36.8	49.1	48.4/21.6	55.1/25	50/25	60/25
LEM36F-J LEM48A-E LEM60A-E*	N(C,T)L00	NA	NA	0.0	0.0	7.6	7.6	0.0	0.0	9.5	9.5	15	15
	N(C,T)L03	T2	1050	2.3	3.0	18.4	20.1	7.8	10.2	23	25.1	25	30
	N(C,T)L05	T2	1050	3.6	4.8	24.9	27.6	12.3	16.4	31.1	34.5	35	35
	N(C,T)L06	T2	1050	4.5	6.0	29.2	32.6	15.4	20.5	36.5	40.8	40	45
	N(C,T)L08	T2	1050	6.0	8.0	36.4	40.9	20.5	27.3	45.6	51.2	50	60
	N(C,T)L10	T2	1050	7.2	9.6	42.2	47.6	24.6	32.8	52.8	59.5	60	60
	N(C,T)L15	T2	1050	7.2/3.6	9.6/4.8	42.2/17.3	47.6/20.0	36.8	49.1	52.8/21.6	59.5/25	60/25	60/25
	N(C,T)L20*	T2	1050	7.2/7.2	9.6/9.6	42.2/34.6	47.6/40.0	49.1	65.5	52.8/43.3	59.5/50	60/45	60/50
LEM48F-J LEM60F-J	N(C,T)X00	NA	NA	0.0	0.0	7.6	7.6	0.0	0.0	9.5	9.5	15	15
	N(C,T)X03	T2	1435	2.3	3.0	18.4	20.1	7.8	10.2	23	25.1	25	30
	N(C,T)X05	T2	1435	3.6	4.8	24.9	27.6	12.3	16.4	31.1	34.5	35	35
	N(C,T)X06	T2	1435	4.5	6.0	29.2	32.6	15.4	20.5	36.5	40.8	40	45
	N(C,T)X08	T2	1435	6.0	8.0	36.4	40.9	20.5	27.3	45.6	51.2	50	60
	N(C,T)X10	T2	1435	7.2	9.6	42.2	47.6	24.6	32.8	52.8	59.5	60	60
	N(C,T)X15	T2	1435	7.2/3.6	9.6/4.8	42.2/17.3	47.6/20.0	36.8	49.1	52.8/21.6	59.5/25	60/25	60/25
	N(C,T)X20	T2	1435	7.2/7.2	9.6/9.6	42.2/34.6	47.6/40.0	49.1	65.5	52.8/43.3	59.5/50	60/45	60/50

NOTE: * = The N(C,T)L20 is only available for the LEM60(A-E)

AIR HANDLER CHASSIS NOMENCLATURE

LEM	24	D	G	000
LEM= 240v Constant torque ECM Multi-Position Air Handler	Nominal Tonnage	D= Coil size (slab size, depth, rows)	Metering device 4= non-bleed A/C or H/P R410 TXV 6= 20% bleed A/C or H/P R410 TXV B= 20% bleed A/C or H/P R410 TXV G= R410A Piston F= R-22 Piston X= non-bleed A/C or H/P R22TXV	OPTION CODE

ELECTRIC HEAT KIT NOMENCLATURE

N	C	M	03
N = ELECTRIC HEAT KIT	C = Circuit Breaker T = Terminal Block	S = 24(A-E) 36L M = 24(F-J) 36(A-E) 48L L = 36(F-J) 48(A-E) 60(A-E)* X = 48(F-J) 60(F-J)	Heat Strip 00 = 0 KW 03 = 3 KW 05 = 5 KW 06 = 6 KW 08 = 8 KW 10 = 10 KW 15 = 15 KW 20 = 20 KW*

NOTE: * = The N(C,T)L20 is only available for the LEM60(A-E)

LEM SERIES AIR HANDLER

High Efficiency

Multi-Position, Aluminum Coil

LEM BLOWER DATA														
MODEL	SPEED TAP	MOTOR			CFM VS EXTERNAL STATIC									
		HP	AMPS	VOLTAGE	0.1	0.2	0.3	0.4	0.5	0.6	0.7	0.8	0.9	1.0
LEM24A-E	TAP 5	1/3	2.4	120V	1030	1000	975	945	910	880	865	830	795	750
	TAP 4				975	945	910	880	865	830	795	775	715	700
	TAP 3				845	810	780	755	725	705	665	635	600	550
	TAP 2				775	745	725	700	665	645	610	575	525	465
	TAP 1				645	620	590	565	550	510	480	420	370	330
LEM36L	TAP 5	1/3	2.4		1250	1225	1200	1175	1150	1125	1050	960	-	-
	TAP 4				1160	1140	1115	1090	1075	1030	1000	975	900	-
	TAP 3				925	900	865	845	810	775	745	710	695	650
	TAP 2				810	770	740	710	680	655	620	590	550	510
	TAP 1				650	640	610	575	540	510	475	420	380	345
LEM24F-J,K LEM36A-E LEM48K	TAP 5	1/2	4.1		1320	1300	1285	1265	1225	1200	1165	1130	1100	10
	TAP 4				1150	1130	1115	1090	1060	1020	975	945	880	810
	TAP 3				930	910	875	845	800	765	675	625	590	540
	TAP 2				825	790	755	720	675	600	550	510	485	440
	TAP 1				745	725	675	645	565	525	480	445	400	350
LEM48L	TAP 5	1/2	4.1	1375	1340	1315	1300	1255	1200	1150	1120	1090	1050	
	TAP 4			1175	1150	1125	1075	1075	1045	990	960	900	845	
	TAP 3			915	900	880	850	800	765	705	665	620	590	
	TAP 2			850	830	780	730	675	635	585	550	510	450	
	TAP 1			725	705	675	620	565	530	485	460	415	380	
LEM36F-J LEM48A-E LEM60A-E	TAP 5	1	7.6	1690	1650	1630	1610	1600	1590	1570	1550	1515	1500	
	TAP 4			1580	1460	1435	1420	1400	1370	1350	1325	1275	1250	
	TAP 3			1300	1275	1260	1240	1200	1165	1130	1100	1075	1050	
	TAP 2			1175	1160	1130	1090	1050	1000	960	930	900	860	
	TAP 1			1020	975	945	900	850	810	775	715	695	650	
LEM60C	TAP 5	1	7.6	1750	1730	1695	1655	1630	1570	1520	1475	1450	1415	
	TAP 4			1560	1520	1475	1435	1435	1375	1350	1325	1275	1250	
	TAP 3			1350	1300	1275	1225	1200	1175	1125	1100	1060	1030	
	TAP 2			1175	1140	1100	1075	1050	1000	975	928	895	790	
	TAP 1			990	940	910	880	850	790	775	675	620	600	
LEM48F-J LEM60F-J	TAP 5	1	7.6	2130	2090	2050	2005	1965	1920	1875	1855	1830	1780	
	TAP 4			1990	1950	1910	1860	1815	1775	1745	1710	1675	1635	
	TAP 3			1815	1760	1725	1675	1615	1600	1560	1520	1475	1415	
	TAP 2			1635	1595	1560	1500	1435	1415	1370	1300	1200	1125	
	TAP 1			1480	1435	1370	1325	1275	1230	1150	1040	980	925	

LEM SERIES AIR HANDLER

High Efficiency

Multi-Position, Aluminum Coil

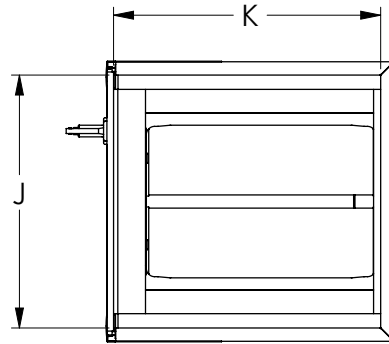
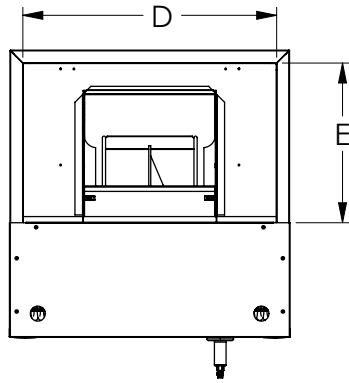
LEM DIMENSIONS												
MODEL	A	B	C	D	E	F	G	J	K	FILTER SIZE	SHIP WEIGHT	SKID QTY
LEM24A	14.5 [368]	40 [1016]	21.5 [546]	12.5 [318]	12 [304]	5 [127]	9 [229]	12.5 [218]	20 [508]	12X20	92	6
LEM24B	14.5 [368]	40 [1016]	21.5 [546]	12.5 [318]	12 [304]	9 [229]	5 [127]	12.5 [218]	20 [508]	12X20	92	6
LEM24C	14.5 [368]	40 [1016]	21.5 [546]	12.5 [318]	12 [304]	4 [102]	7 [178]	12.5 [218]	20 [508]	12X20	92	6
LEM24D	14.5 [368]	40 [1016]	21.5 [546]	12.5 [318]	12 [304]	5 [127]	9 [229]	12.5 [218]	20 [508]	12X20	92	6
LEM24E	14.5 [368]	40 [1016]	21.5 [546]	12.5 [318]	12 [304]	4 [102]	7 [178]	12.5 [218]	20 [508]	12X20	92	6
LEM36L	14.5 [368]	40 [1016]	21.5 [546]	12.5 [318]	12 [304]	5 [127]	9 [229]	12.5 [218]	20 [508]	12X20	92	6
LEM24F/36A	17.5 [445]	46 [1168]	21.5 [546]	15.5 [394]	12 [304]	10 [254]	13 [330]	15.5 [394]	20 [508]	14x20	115	4
LEM24G/36B	17.5 [445]	46 [1168]	21.5 [546]	15.5 [394]	12 [304]	4 [102]	7 [178]	15.5 [394]	20 [508]	14x20	115	4
LEM24H/36C	17.5 [445]	46 [1168]	21.5 [546]	15.5 [394]	12 [304]	5 [127]	9 [229]	15.5 [394]	20 [508]	14x20	115	4
LEM24I/36D	17.5 [445]	46 [1168]	21.5 [546]	15.5 [394]	12 [304]	8 [203]	11 [279]	15.5 [394]	20 [508]	14x20	115	4
LEM24J/36E	17.5 [445]	46 [1168]	21.5 [546]	15.5 [394]	12 [304]	10 [254]	13 [330]	15.5 [394]	20 [508]	14x20	115	4
LEM24K	17.5 [445]	46 [1168]	21.5 [546]	15.5 [394]	12 [304]	9 [229]	5 [127]	15.5 [394]	20 [508]	14x20	115	4
LEM48L	17.5 [445]	46 [1168]	21.5 [546]	15.5 [394]	12 [304]	10 [254]	13 [330]	15.5 [394]	20 [508]	14x20	115	4
LEM48K	17.5 [445]	46 [1168]	21.5 [546]	15.5 [394]	12 [304]	4 [102]	7 [178]	15.5 [394]	20 [508]	14x20	115	4
LEM36F/48A	21 [533]	49 [1448]	21.5 [546]	19 [483]	12 [304]	9 [229]	12 [305]	19 [483]	20 [508]	16X20	151	4
LEM36G/48B	21 [533]	49 [1448]	21.5 [546]	19 [483]	12 [304]	7 [178]	10 [254]	19 [483]	20 [508]	16X20	151	4
LEM36H/48C	21 [533]	49 [1448]	21.5 [546]	19 [483]	12 [304]	9 [229]	12 [305]	19 [483]	20 [508]	16X20	151	4
LEM36I/48D	21 [533]	49 [1448]	21.5 [546]	19 [483]	12 [304]	10 [254]	14 [356]	19 [483]	20 [508]	16X20	151	4
LEM36J/48E	21 [533]	49 [1448]	21.5 [546]	19 [483]	12 [304]	12 [305]	16 [406]	19 [483]	20 [508]	16X20	151	4
LEM60A	21 [533]	57 [1448]	21.5 [546]	19 [483]	12 [304]	18 [457]	22 [559]	19 [483]	20 [508]	16X20	173	4
LEM60B	21 [533]	57 [1448]	21.5 [546]	19 [483]	12 [304]	12 [305]	16 [406]	19 [483]	20 [508]	16X20	173	4
LEM60C	21 [533]	57 [1448]	21.5 [546]	19 [483]	12 [304]	14 [356]	18 [457]	19 [483]	20 [508]	16X20	173	4
LEM60D	21 [533]	57 [1448]	21.5 [546]	19 [483]	12 [304]	16 [406]	20 [508]	19 [483]	20 [508]	16X20	173	4
LEM60E	21 [533]	57 [1448]	21.5 [546]	19 [483]	12 [304]	18 [457]	22 [559]	19 [483]	20 [508]	16X20	173	4
LEM48F/60F	24.5 [622]	57 [1448]	21.5 [546]	22.5 [572]	10.5 [267]	18 [457]	22 [559]	22.5 [572]	20 [508]	20X20	180	4
LEM48G/60G	24.5 [622]	57 [1448]	21.5 [546]	22.5 [572]	10.5 [267]	12 [305]	16 [406]	22.5 [572]	20 [508]	20X20	180	4
LEM48H/60H	24.5 [622]	57 [1448]	21.5 [546]	22.5 [572]	10.5 [267]	14 [356]	18 [457]	22.5 [572]	20 [508]	20X20	180	4
LEM48I/60I	24.5 [622]	57 [1448]	21.5 [546]	22.5 [572]	10.5 [267]	16 [406]	20 [508]	22.5 [572]	20 [508]	20X20	180	4
LEM48J/60J	24.5 [622]	57 [1448]	21.5 [546]	22.5 [572]	10.5 [267]	18 [457]	22 [559]	22.5 [572]	20 [508]	20X20	180	4



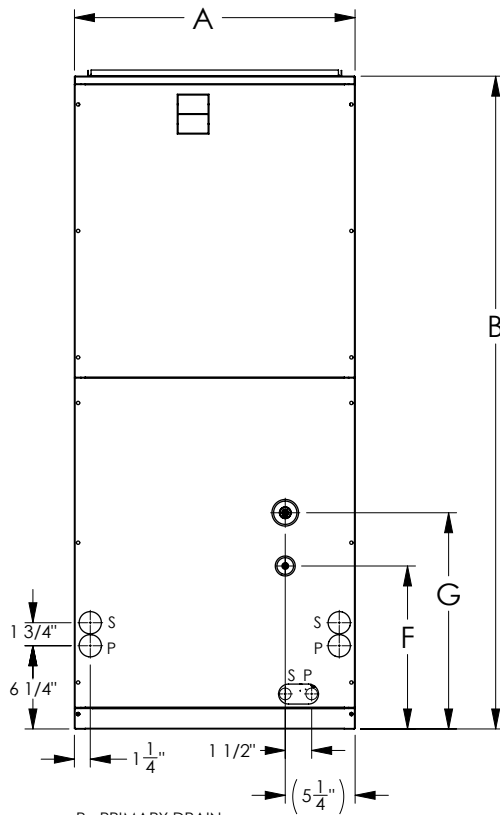
LEM SERIES AIR HANDLER

High Efficiency

Multi-Position, Aluminum Coil



VIEW H-H



P - PRIMARY DRAIN
S - SECONDARY DRAIN

